

# 385-386RH SUMMIT®

# MANSFIELD®



Elongated Front, SmartHeight™, Vitreous China, 10" Rough-In, Two-Piece Toilet

## FEATURES

- High performance MagnaFlush™ flushing technology
- 1.6 gpf / 6.0 lpf low water consumption
- Elongated front, SmartHeight™ bowl (ADA compliant)
- SmartFasten™ 3-bolt tank-to-bowl connection
- PuraClean® easy-to-clean glaze
- 3" Rigid Flapper flush valve – requires less force to flush, is more consistent and uses a simple universal repair part/seal
- Fluidmaster® pilot operated anti-siphon fill valve
- 10" rough-in
- Model 57RH chrome-plated, metal trip lever
- 2" glazed trapway
- The Mansfield® limited lifetime warranty on china; Five-year limited warranty on tank trim
- Available in White, Biscuit and Bone



## COMPONENTS

MODEL #	DESCRIPTION	CODES/STANDARDS
<b>385-386RH</b>	Elongated front, SmartHeight™, two-piece toilet. Less toilet seat and supply. Specify color.	 
<b>385</b>	Elongated front, SmartHeight™ toilet bowl only. Less supply. Specify color.	
<b>386RH</b>	Tank and cover only, with right hand, front-mount, chrome-plated, metal trip lever. Less supply. Specify color.	

TANK TRIM & REPLACEMENT PARTS	
<b>57RH</b>	Trip lever - chrome-plated, metal trip lever, right hand
<b>2037-1212</b>	Summit® 1.6 rigid flapper flush valve
<b>400A</b>	Fluidmaster® anti-siphon pilot fill valve
<b>2206</b>	Anti-siphon pilot fill valve (compatible replacement)
<b>630-0030</b>	Replacement flush valve seal
<b>386-LID</b>	Tank lid





# 385-386RH SUMMIT®



Elongated Front, SmartHeight™, Vitreous China, 10" Rough-In, Two-Piece Toilet

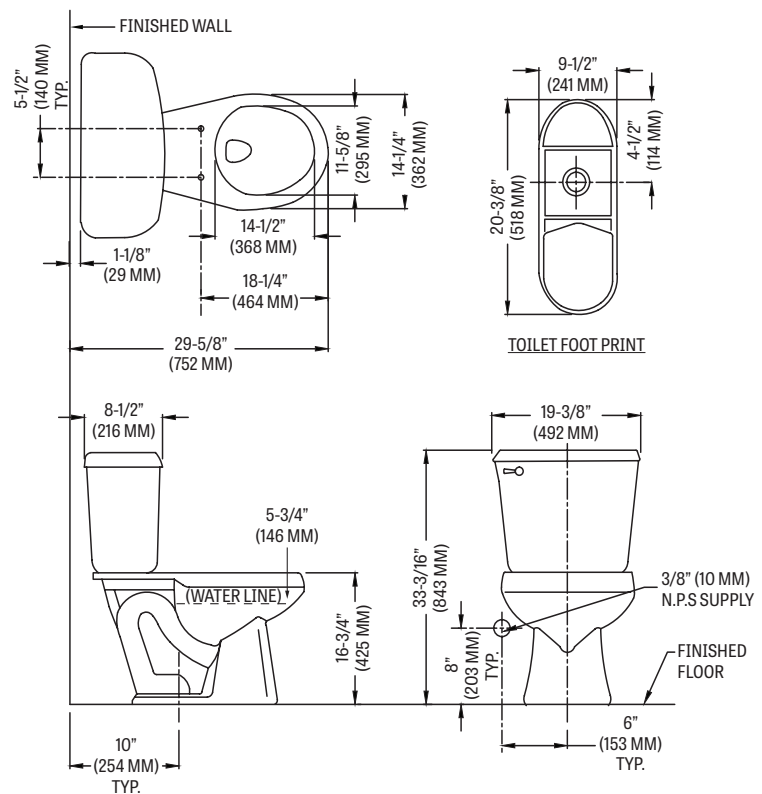
## SPECIFICATIONS

MODEL #	DESCRIPTION	CODES/STANDARDS
385-386RH	Elongated front, SmartHeight™ (1.6 gpf/6.0 lpf) two-piece toilet	 

MATERIAL	Vitreous China
WATER PRESSURE RANGE	20 to 80 PSI
FLUSH SYSTEM	MagnaFlush™ flushing technology
WATER USAGE	1.6 gpf / 6.0 lpf
WATER SURFACE AREA	9' X 10'
ROUGH-IN	10"
MAP RATING	1,000 grams

TRAP DIAMETER	2'
TRAP SEAL	2-3/8'
SHIPPING WEIGHT	Model 385 - 54 lbs. (24.4 kg) Model 386RH - 36 lbs. (16.3 kg)
WARRANTY	Vitreous China - Limited Lifetime Tank Trim - Limited Five Year

TANK OPTIONS	TECHNICAL INFORMATION				
<table border="1"> <tbody> <tr> <td>386</td> <td>Variation of model 386RH, with left hand trip lever.</td> </tr> <tr> <td>386LT</td> <td>Variation of model 386, with tank liner.</td> </tr> </tbody> </table>	386	Variation of model 386RH, with left hand trip lever.	386LT	Variation of model 386, with tank liner.	<p><b>Note:</b> these dimensions are nominal and subject to change without notice.</p>
386	Variation of model 386RH, with left hand trip lever.				
386LT	Variation of model 386, with tank liner.				



Fixture performance and specifications meet or exceed ASME A112.19.2/CSA B45.1 standards, and other state and local codes.

